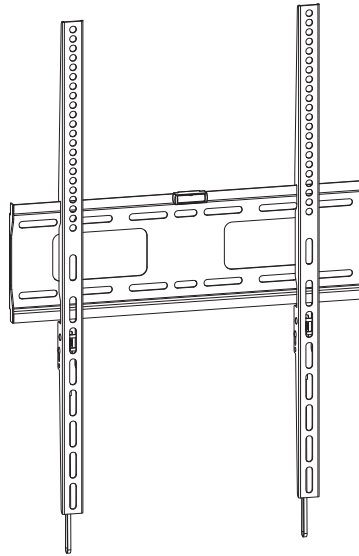
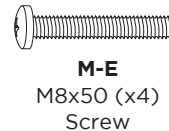
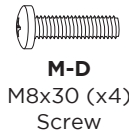
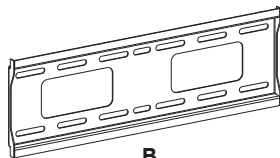
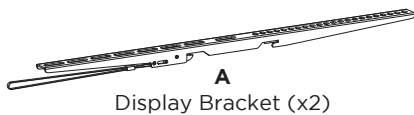


Portrait Fixed Wall Mount 5040



COMPONENT CHECKLIST



REQUIRED TOOLS

- Phillips head screwdriver
- Power drill
- Suitable drill bit
- Driver bit for selected wall fasteners
- Stud finder
- Spirit level

WEIGHT RANGE

0 - 50kg
(0 - 110lb)

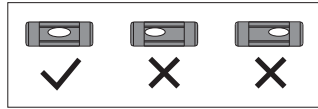
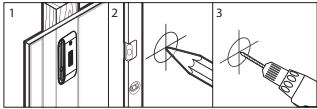
NOTE:

- ! Wall Plate Mounting Fasteners are **NOT** supplied with Wall Mounts. Professional installer to ensure correct Mounting Fastener type, location & quantity to suit structure where Wall Mount is installed.
- ! **ALWAYS** use a washer between the chosen fastener and the wall plate.
- ! Mounting fasteners to be used as per manufacturers instructions, including minimum engagement to achieve necessary performance.

IMPORTANT INFORMATION

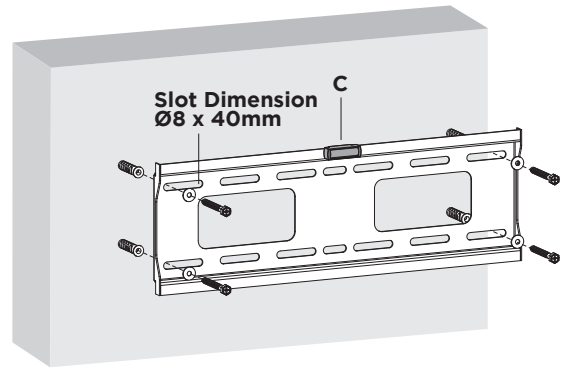
- ! **Please ensure this product is installed as per these installation instructions.**
- ! The manufacturer accepts no responsibility for incorrect installation.
- ! Failure to mount this product correctly may cause serious injury/death during or following installation.
- ! This product is not suitable for outdoor use.
- ! Do not use this product for mobile applications.
- ! This product supports a maximum load of 50kg (110lb).
- ! Wall Plate only achieves maximum weight rating when appropriately fastened to a wall of adequate structural capacity.
- ! Professional installer to ensure adequate structural capacity of wall (including appropriate safety factor) to support total weight of all equipment being mounted.
- ! Drilling into electrical wires can cause death - use appropriate equipment and caution when drilling holes in walls to avoid electrical cables, water pipes and gas pipes. Do not drill into structures unless you have established it's safe to do so.
- ! Suits displays with mounting hole patterns from 75mm to 410mm wide by 70mm to 605mm high.

1. Mount the Wall Plate to the Wall



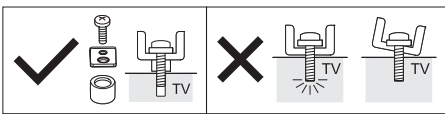
NOTE:

- Choice and supply of appropriate wall plate fasteners is the responsibility of the installer.
- Consult a preferred fastener supplier or a structural engineer to select fasteners which are most appropriate for the weight of the display and wall construction method.
- Wall plate must be level. Verify using a quality spirit level tool or the included spirit level **C**
- On a Stud Wall or Drywall use a good quality Stud Finder to position mounting fasteners in the centre of studs.
- On a Masonry Wall avoid positioning Wall Plate mounting fasteners in a mortar joint.



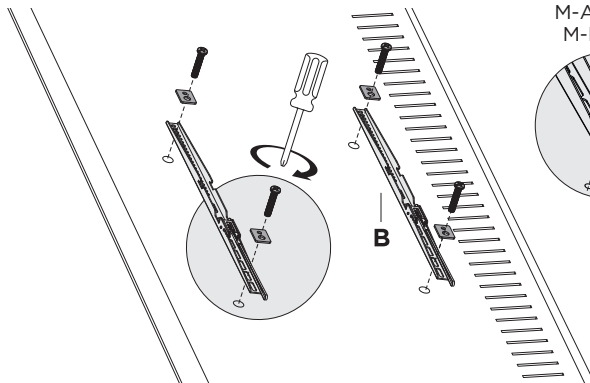
*Fasteners shown are not included

2. Attach the Display Brackets to the Display



NOTE:

- Always use multi-washers **M-F**.
- Use the shortest combination of spacers (if necessary) ensuring the display is not loose and screws are not forced too deep into the display.

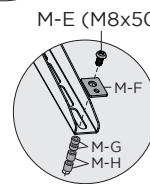
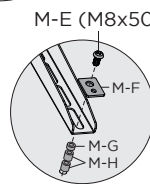
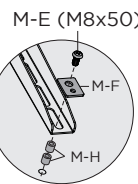
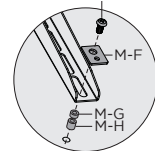
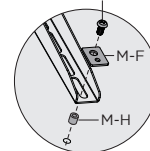
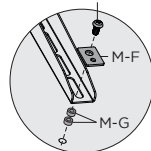
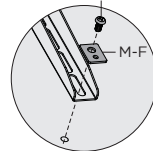


M-A (M5x14) /
M-B (M6x14)

M-C (M6x30) /
M-D (M8x30)

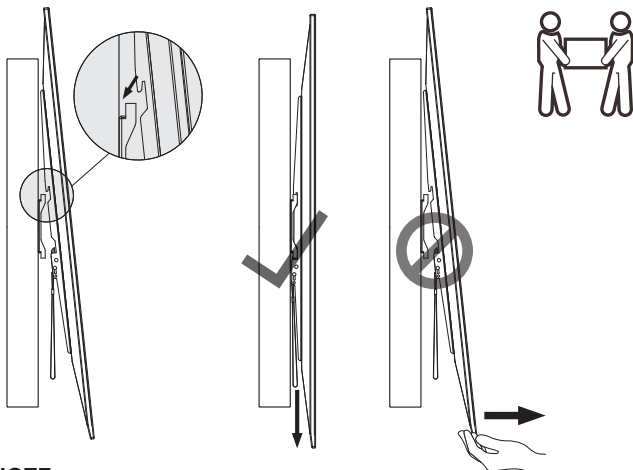
M-C (M6x30) /
M-D (M8x30)

M-C (M6x30) /
M-D (M8x30)



3. Hook the Display onto the Wall Plate

- 3.1.** Angle the display and hook the Display Brackets over the top of the Wall Plate. This should be completed by two people.
- 3.2.** While supporting the display, simultaneously pull each strap down and lower the display until it is parallel with the wall.

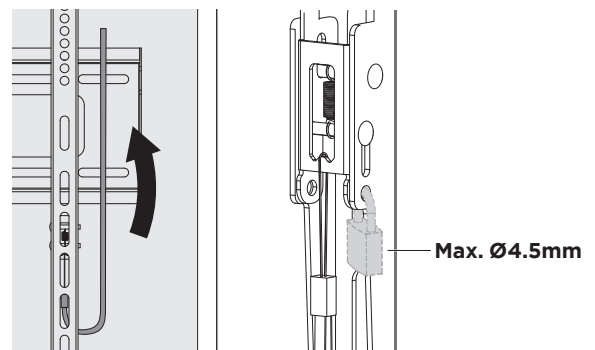


NOTE:

To ensure the display brackets have engaged with the wall plate and the display cannot be tilted upwards, gently pull the display forwards from the bottom of the display.

4. Conceal Straps and Lock Display

- 4.1.** Conceal straps behind the display ensuring they are not visible from the desired viewing angle
- 4.2. (OPTIONAL)** To prevent theft of the display, add a padlock to each display bracket.



NOTE:

Releasing the display from the Wall Plate requires two people. To do so, retrieve each strap from its concealed position, then pull both straps downward and whilst holding them down, tilt the display upwards to clear the lower edge of the Wall Plate. The straps can then be released and the display lifted off. This should be completed by two people.