

Single Arm Desktop Monitor Mount

Mounting Options

Bolt Through and
Desk Clamp

Desk clamp

Suits desktop thicknesses
of 0-76mm (0"-3")

Bolt Through

Suits desktop thicknesses
of 12-40mm (0.5"-1.5")

Display Mounting Options

VESA 75 x 75mm

VESA 100 x 100mm

Weight Range

Flat monitor 0-8kg (0 - 17.6lbs)

Curved monitor 0-5.5kg (0 - 12lbs)

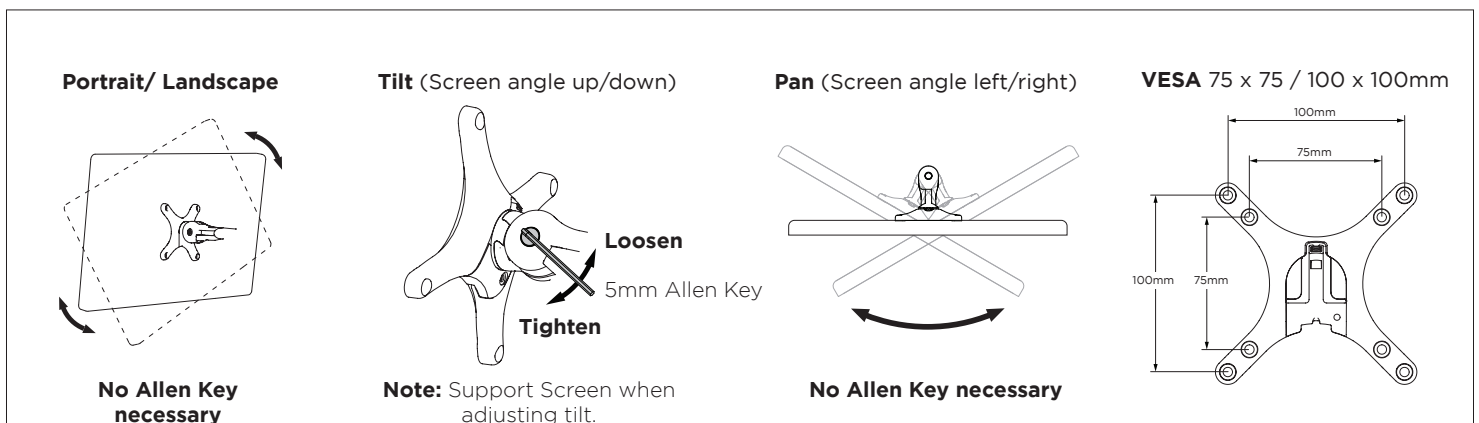
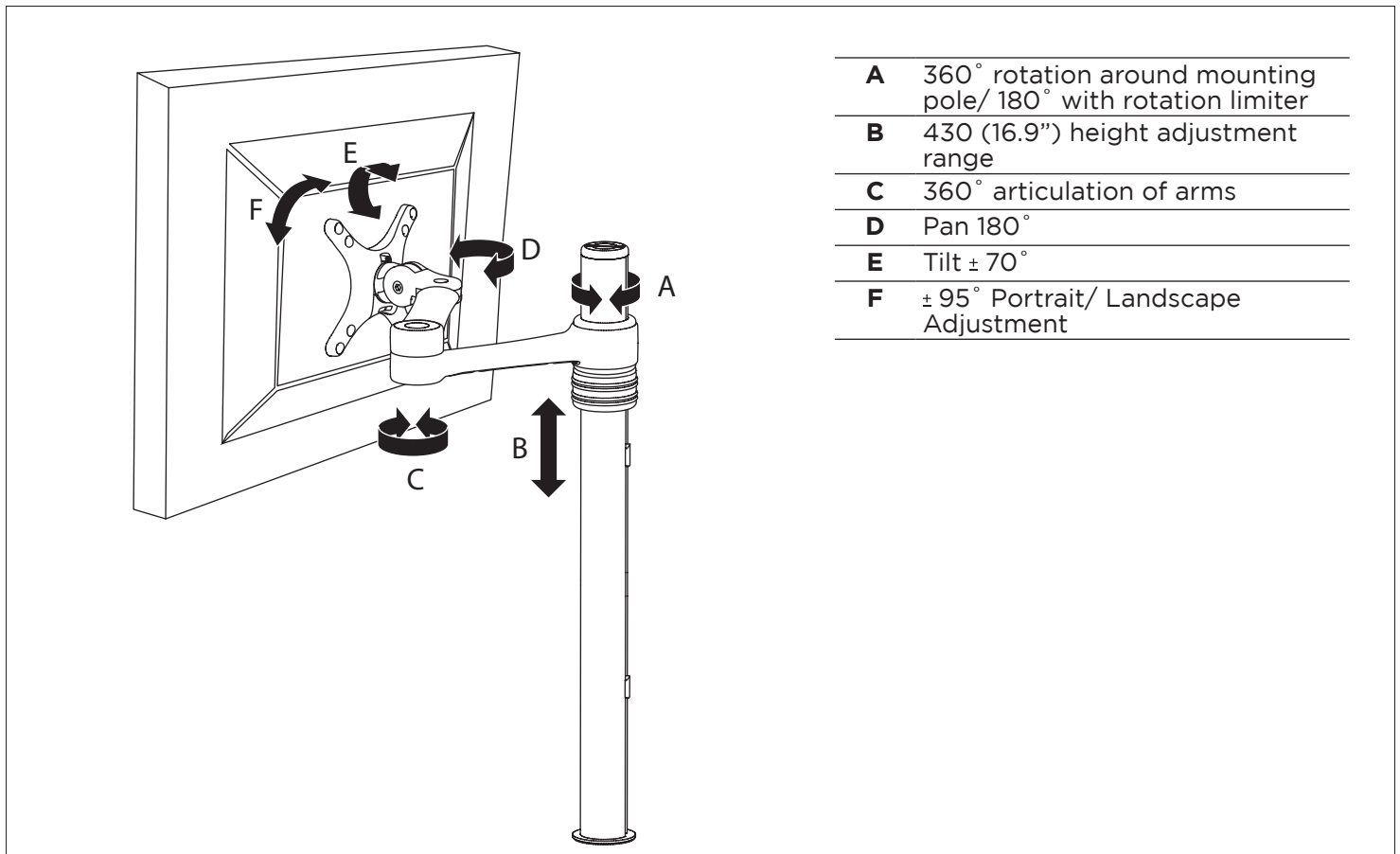
*Curved monitors, deep devices (such as all-in-one PCs) and offset VESA locations exert additional leverage that can exceed the capacity of the mount even though the monitor weight may be within the stated range. Please contact Atdec if you would like further information.

Consist of

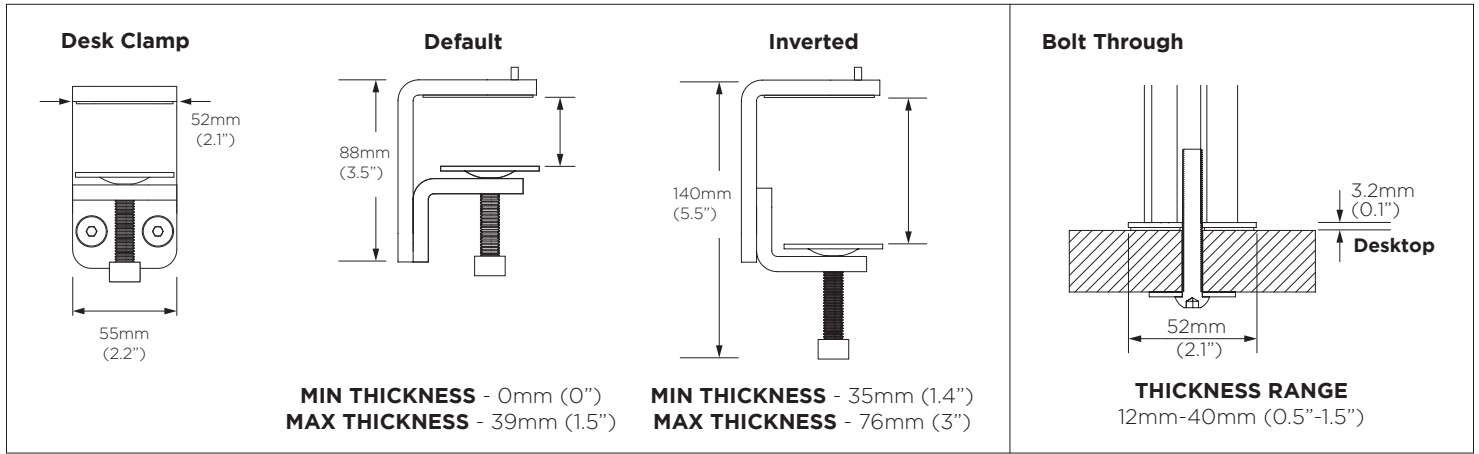
Monitor Arm
Fasteners
Mounting Hardware

Warranty

10 years limited



Mounting Options



Overall Dimensions

