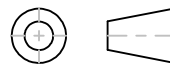


THIRD ANGLE PROJECTION



GENERAL NOTES

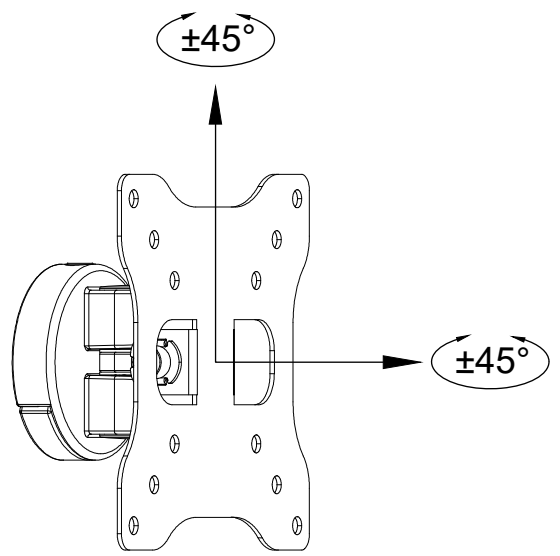
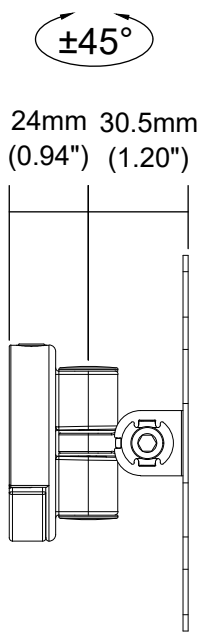
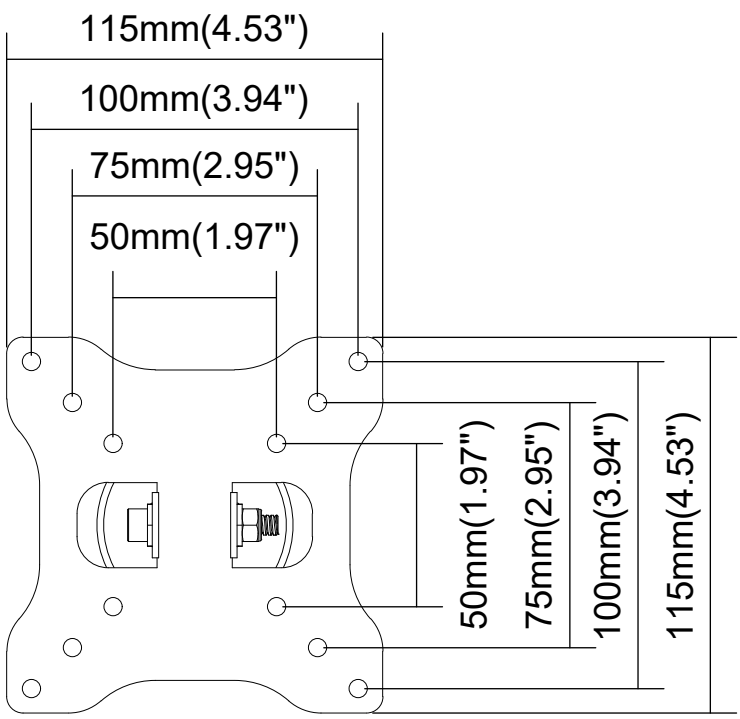
DIMENSIONS ARE IN MM - DO NOT SCALE
THIS DOCUMENT CONTAINS CONFIDENTIAL,
PROPRIETARY INFORMATION THAT IS
PROPERTY OF STARTECH.COM

StarTech.com

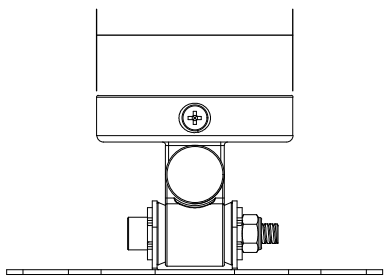
PRODUCT ID	ARMWALL		
DESCRIPTION	MONITOR WALL MOUNT - ALUMINUM		
DO NOT SCALE	SHEET: 1 OF 2	UPLOAD DATE: 3/31/2021	

8 7 6 5 4 3 2 1

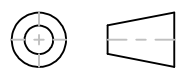
F
E
D
C
B
A



Ø60mm(2.36")



THIRD ANGLE PROJECTION



GENERAL NOTES

DIMENSIONS ARE IN MM - DO NOT SCALE
 THIS DOCUMENT CONTAINS CONFIDENTIAL,
 PROPRIETARY INFORMATION THAT IS
 PROPERTY OF STARTECH.COM

StarTech.com

PRODUCT ID	ARMWALL		
DESCRIPTION	MONITOR WALL MOUNT - ALUMINUM		
DO NOT SCALE	SHEET: 2 OF: 2	UPLOAD DATE: 3/31/2021	

8 7 6 5 4 3 2 1